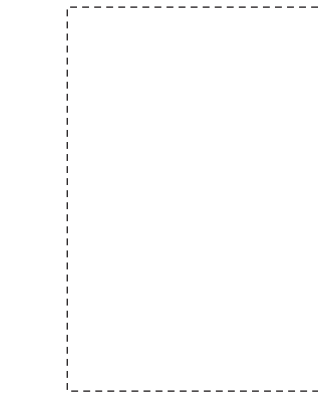


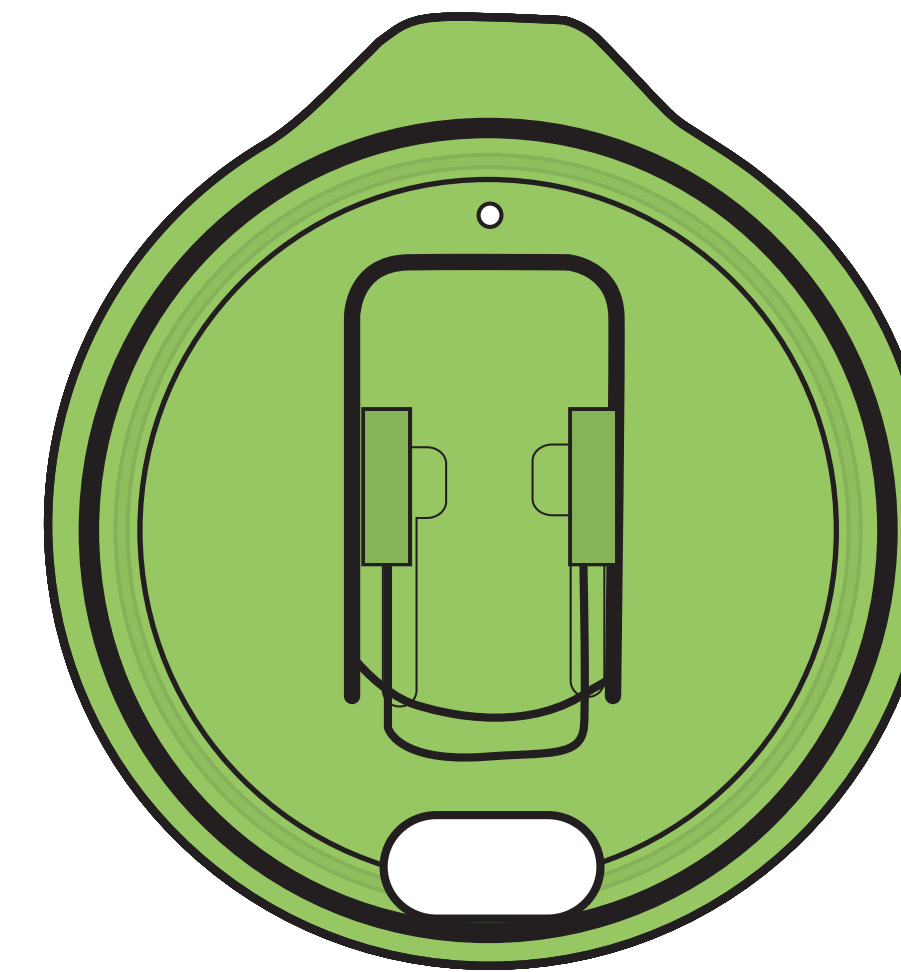
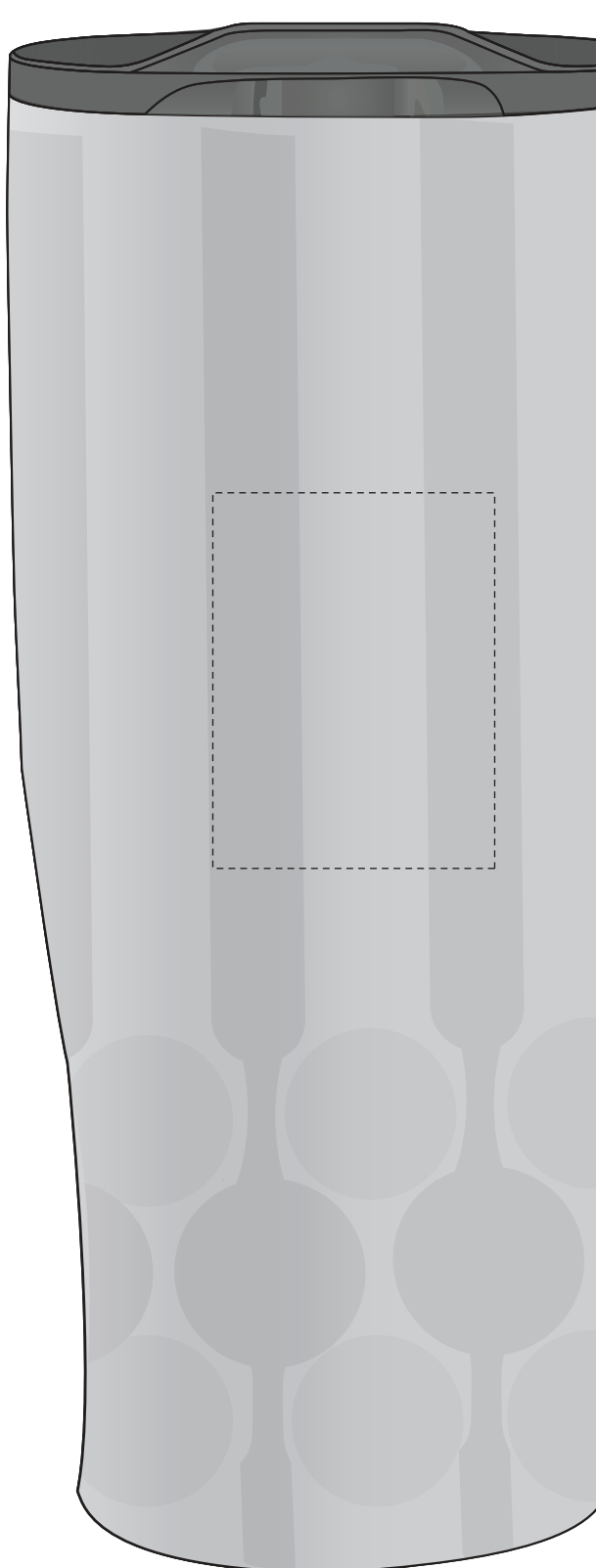
LASER ENGRAVE

F.P.O



Dashed Line For Imprint Area Only. Will Not Print.

1" 0.5" 0" 0.5"	Artist/Date:	Item #: 5791	Proofing:
	Order #:	MAX Imprint Size: 1 1/2" W x 2" H	
	Ship Date:		
	Imprint Color:	Imprint Type: LASER ENGRAVE	
	Item Color:		



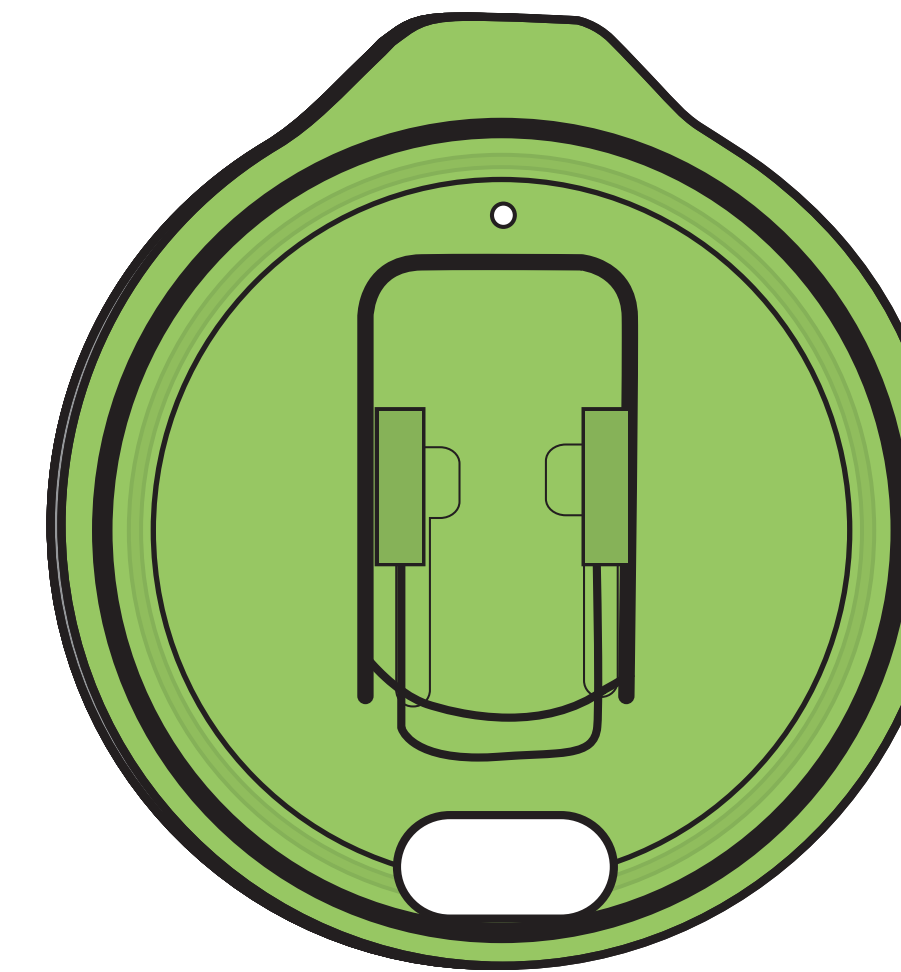
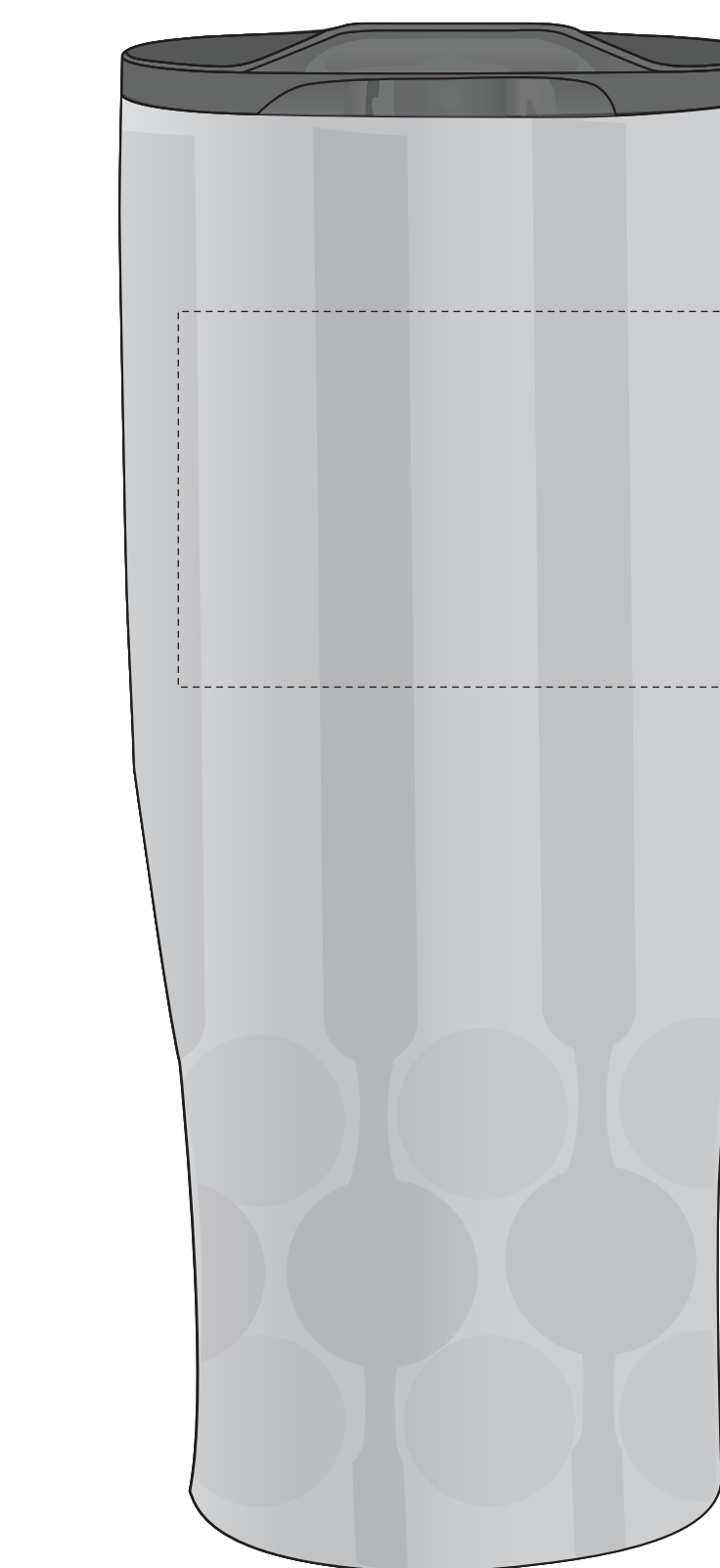
LASER ENGRAVE

F.P.O



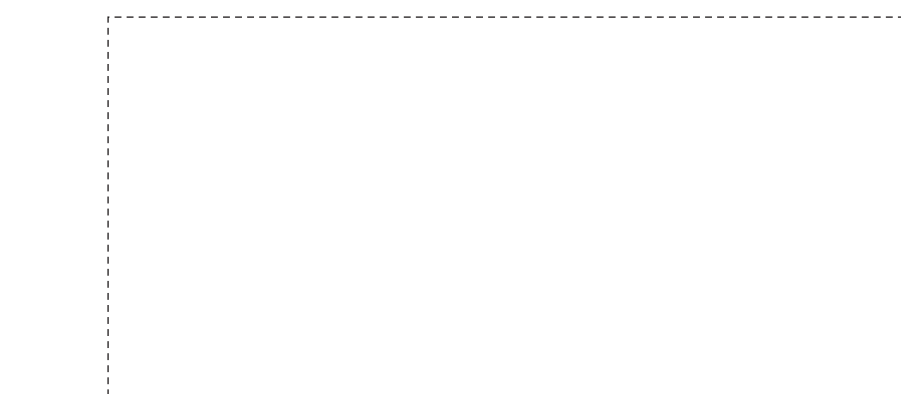
Dashed Line For Imprint Area Only. Will Not Print.

1" 0.5" 0" 0.5"	Artist/Date:	Item #: 5791	Proofing:
	Order #:	MAX Imprint Size: 3" W x 2" H	
	Ship Date:		
	Imprint Color:	Imprint Type: Silk-Screen	
	Item Color:		



Wraparound

FPO



Dashed Line For Imprint Area Only. Will Not Print.

1" 0.5" 0" 0.5"	Artist/Date:	Item #: 5791	Proofing:
	Order #:	MAX Imprint Size:	
	Ship Date:	Wraparound: 6" W x 2" H	
	Imprint Color:	Imprint Type: Standard Silk Screen	
	Item Color:		

